

Ascent™ Consoles

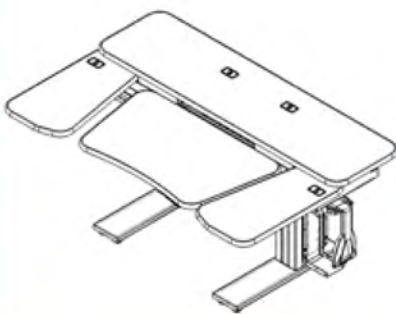


Ascent™

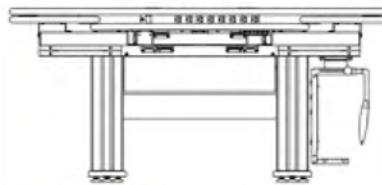


e-Systems Group introduces a new workstation line known as Ascent™: a series of electric lift technical furniture designed for medical and technology professionals who require ergonomic accommodation for flat screen technologies and other specialized analytical work. Ascent represents the most advanced ergonomic platform in terms of user interface and the precision and ease in the position and adjustment of flat panels. Ascent is ideal for medical imaging, PACS applications, editing suites, multimedia and graphics work, network administration and small office/home office environments.

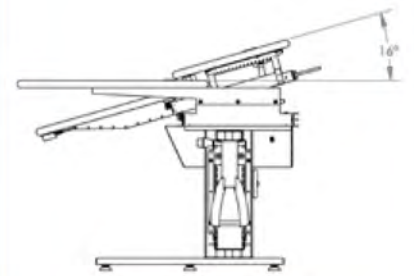
Top View



Front View



Side View



Ascent Features

Ergonomic Performance

This heavy-duty workstation motorized lifts efficiently, quietly and quickly. The primary desktop adjusts from a low position of 28.5 inches to an upper range of 48.5 inches, to address sit-stand requirements. Simply press the surface-mounted control panel to activate your desktop to the desired height. With a travel speed of 2.1 inches per second, achieving your desired work position is fast and easy. The optional "tilt" feature provides optimal ergonomic performance by permitting the operator to create a positive tilt range up to 16° (wing surfaces are non-adjustable to safely store secondary equipment and personal affects).

Space Efficiency

Our Ascent Extreme model, as shown, requires only 70" x 47" of floor space and can store two, three, four, up to 8 flat panel displays. Ample desktop surface accommodates multiple keyboards and other peripherals; the adjacent "wing" surfaces provide convenient work space for laptops and personal items.

Flat Panel Support

EDP offers multiple solutions for mounting LCD panels and PACS monitors (for medical and healthcare communities). You can easily create parabolic configurations for precise focal positioning and touch-screen accommodation. In addition to this level of user adjustment, an entire array of screens can be vertically adjusted by a simple crank turn located behind the monitors.

Technology Accommodation

Adjustable CPU holders store commonly-sized processors and securely attach to the underside of the primary worksurface. Up to two CPUs can be stored on a single workstation with swivel adjustment for easy loading and service access.

Contact us for ordering information on Ascent.



Ascent configured with multiple screen mounts to display monitors in portrait and landscape modes



800.432.1337

Colorado Location: 1250 West 124th Avenue • Westminster, CO 80234

New York Location: 100 Progress Parkway • Conklin, NY 13748

Every effort has been made to ensure the accuracy and depiction of products featured in this brochure. The company reserves the right to modify product appearance, functionality and material specifications without prior notice and assumes no responsibility for any error that may appear in the publication.